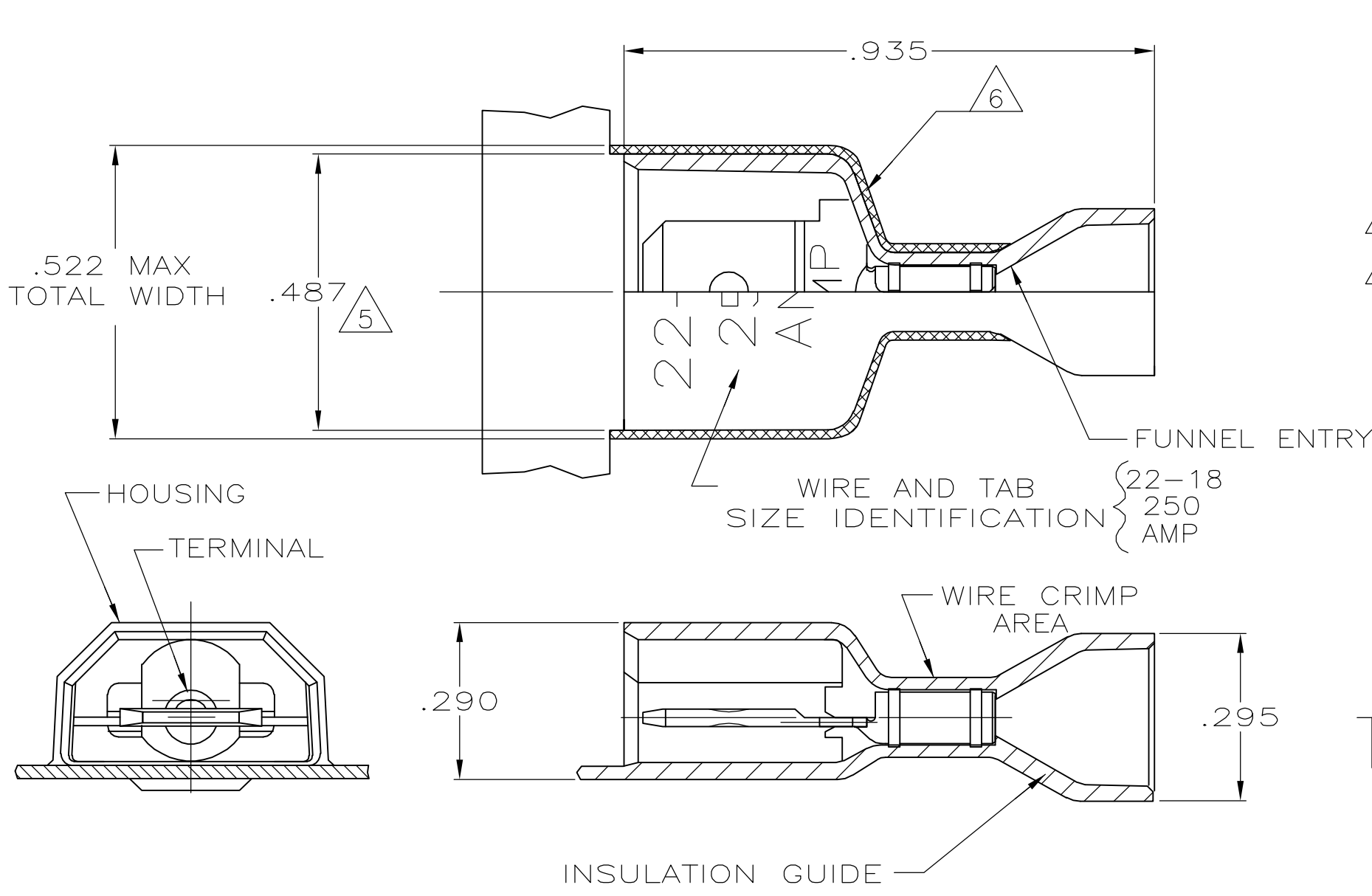


THIS DRAWING IS UNPUBLISHED. RELEASED FOR PUBLICATION  
 © COPYRIGHT - BY TYCO ELECTRONICS CORPORATION. ALL RIGHTS RESERVED.

LOC	DIST	REVISIONS					
AF	50	P	LTR	DESCRIPTION	DATE	DWN	APVD
			B	REVISED PER ECR-06-009299	30AUG06	HMR	RL



- 1 TAB DIMENSIONS  $.032^{+.001}_{-.002} \times .250$
- 2 WIRE STRIP LENGTH .281
- 3 INSULATION SIZE .230 MAX DIA
- 4 CONTINUOUS STRIP ON REELS
- △5 DIMENSION DOES NOT INCLUDE TRIM BURR
- △6 .015 MAX CARRIER TRIM BURR PER SIDE IS ALLOWABLE IN THE SHADED AREA

HOUSING: NYLON, COLOR-RED TRANSLUCENT TAB: #3 HARD BRASS, TIN .000080 MIN	2-521144-2
MATERIAL & FINISH	PART NO

THIS DRAWING IS A CONTROLLED DOCUMENT.		DWN JR RUTH 4/17/97	Tyco Electronics Corporation Harrisburg, PA 17105-3608	
DIMENSIONS: INCHES		CHK MS FEHER 4/17/97		
TOLERANCES UNLESS OTHERWISE SPECIFIED:		APVD J WORMAN 4/17/97	NAME TAB ASSEMBLY, LID, ULTRA-FAST, .250 SERIES, 22-18 AWG	
0 PLC ± -		PRODUCT SPEC 108-2017	SIZE A3	
1 PLC ± -		APPLICATION SPEC 114-2123	CAGE CODE 00779	DRAWING NO C-521144
2 PLC ± -		WEIGHT -	RESTRICTED TO -	
3 PLC ± .015		CUSTOMER DRAWING		
4 PLC ± -		SCALE 4:1		
ANGLES ± -		SHEET 1 OF 1		
FINISH SEE TABLE		REV B		